

QUICK BLENDER JAR CLEANING

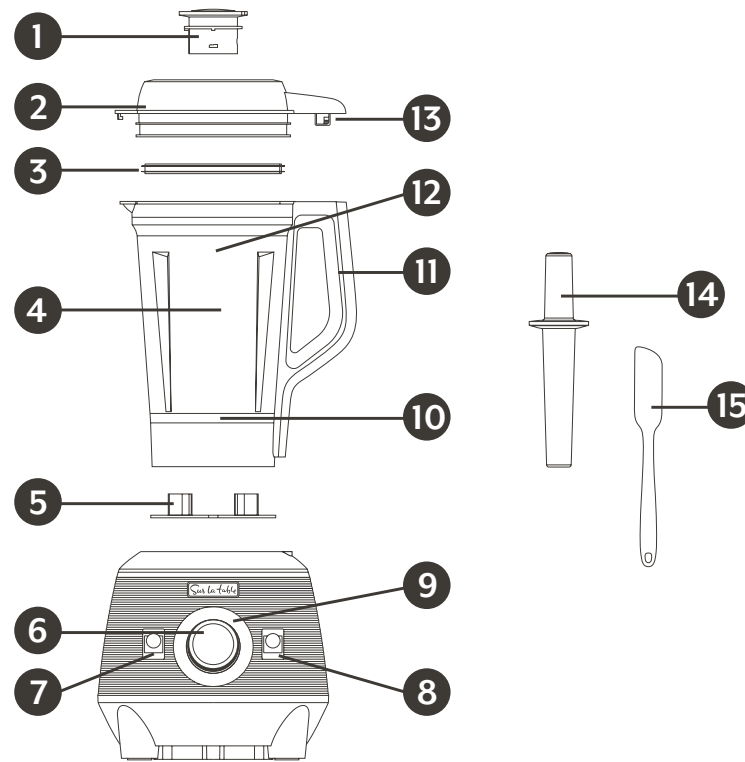


1. Remove Blender Lid.
2. Pour warm water into the Blender Jar below the MAX level. Add 2 drops of dishwashing liquid.
3. Place Blender Lid on the Blender Jar and lock Lid in place.
4. Press the ON/OFF switch to turn the Power Blender "ON" and press the Pulse/Clean switch for 20 to 30 seconds and release the switch. Press the ON/OFF switch to turn the Power Blender "OFF."
5. Remove Blender Lid.
6. Rinse Blender Jar well with clean water.
7. Dry Blender Jar.
8. Dry Blender Lid and place Lid back on the Blender Jar.
9. Unplug power cord from power outlet.

TROUBLESHOOTING

QUESTIONS	POSSIBLE CAUSES	SOLUTIONS
Why is the blender not working?	Power is not turned on.	Connect plug to power outlet.
	Jar is not put in place.	Remove jar and place it correctly back on the blender base.
	The blender lid is not locked in place.	Place lid on blender & lock in place.
Why aren't the blades rotating?	After selecting the desired function, "ON/OFF" switch is not pressed.	Press "ON/OFF" switch.

WHAT'S IN THE BOX



- | | |
|--------------------------------------------|-----------------------------------|
| 1 REMOVABLE MEASURING CUP | 9 FUNCTION PANEL |
| 2 TIGHT-SEAL BLENDER LID | 10 6-STAINLESS STEEL SHARP BLADES |
| 3 LID SEAL RING (DO NOT REMOVE FROM LID) | 11 HANDLE |
| 4 72-OZ. BLENDER JAR | 12 MAX FILL LINE |
| 5 BLENDER JAR PAD (CAUTION: MIGHT GET HOT) | 13 BLENDER LID LOCK |
| 6 CONTROL KNOB | 14 STIR BAR |
| 7 ON/OFF SWITCH | 15 SCRAPER |
| 8 PULSE/CLEAN SWITCH | |

NOTE: During blender operation, you can automatically switch from one function to the next by turning the control knob.

Sur la table

PERFORMANCE BLENDER

1200 WATTS

QUICK START GUIDE



Scan Here to Learn More!

www.mcappliances.us

Customer Service: (877) 246-0990 – ApplianceSupport@monchateau.us

MODEL: SLT-2203


FEATURES

- **1200 Watts of Power**
- **Smoothies, Juices, Purées, Food Prep and More**
- **5 Speed Setting**
- **6 Stainless Steel Sharp Blades**
- **72-oz. Blender Jar**
- **Blender Lid Lock**
- **ON/OFF Switch**
- **Pulse/Clean Switch**
 - To achieve desired texture at highest speed
 - Quickly clean Blender Jar
- **Preset Function Panel**
 - Grind
 - Puree
 - Ice Crush
 - Milk Shake
 - Smoothie

QUICK START GUIDE

- 1 Before first use, hand wash with mild soap Removable Measuring Cup, Lid, Jar and Blades with a brush. **WARNING: Be Careful, blades are very sharp!** Rinse well all parts and dry.
- 2 Place Blender Base on a sturdy horizontal surface.
- 3 Assemble all parts washed in step 1 onto Blender Base. Make sure Lid is locked in place by turning it into the slot on the handle.
- 4 Insert power plug into power outlet.
5. Remove Lid, add liquid ingredients first, then follow with solid ingredients in small pieces, then frozen ingredients.
NOTE: This will provide more consistent blending and prevent unnecessary stress on the motor. Food to liquid ratio is 2:3 and the amount of ingredients should NOT exceed the MAX level as indicated on the Jar.
WARNING: Always remove the core from fruits, vegetables and cut into small pieces. Never use boiling, hot liquids, or run the blender empty.
- 6 Place Measuring Cup and Lid back on the Blender Jar.
NOTE: The Measuring Cup can be removed to add ingredients to Blender Jar. Make sure Blender is "OFF" before removing Measuring Cup.

QUICK START GUIDE

7. Press the ON/OFF Switch to turn "ON" the blender, then choose from the 5 speeds or 5 preset function controls; Grind, Puree, Ice Crush, Milk Shake or Smoothie. While blending, press the Pulse/Clean Switch (max 3 seconds) to increase to highest speed and release switch. Turn the knob on the Function Panel to "OFF" icon  and press the ON/OFF Switch to "OFF" to stop the blender's operation.



WARNING: Do not run the blender for more than 6 minutes at a time, and always wait until the unit is cooled to room temperature before performing next operating cycles.

TROUBLESHOOTING

QUESTIONS	POSSIBLE CAUSES	SOLUTIONS
Why is the blender not turning "ON"?	After selecting the desired function, the "ON/OFF" switch is not pressed.	Press "ON/OFF" switch and select desired function.
Why is there an undesirable odor coming from the blender?	It is a normal condition when the blender is used for the first time and the motor is running.	After several times of using the blender, the odor will go away. If it does not, please contact our customer service department, or go directly to our company's maintenance point for inspection.
	The blender is overloaded.	1. Check the processing volume and blending time. 2. Check whether the voltage is the correct one.
	No ingredients are placed in the blender jar.	Check whether there are ingredients in the blender jar.
Why are there abnormal sounds coming from the blender?	The blender jar is not installed correctly.	Turn off the blender and check whether the blender jar is installed correctly.
	There is a foreign object inside the blender jar.	Turn off the blender and check whether there are any foreign objects inside the blender jar.

1 YEAR LIMITED WARRANTY