

# IMPORTANT SAFEGUARDS

When using electrical appliances, basic safety precautions should always be followed including:

1. Read all instructions before use and keep them for future reference.
2. Remove all packaging material before using the espresso maker for the first time.
3. Place the espresso maker on a flat, dry, and stable surface.
4. To reduce the risk of injury, do not hang the power cord over the countertop or tabletop where children can pull on it or where someone can trip over it unintentionally. Do not let the power cord hang over the edge of the table or countertop. Do not operate any appliance with a damaged cord or plug. If the SUPPLY CORD is damaged, it must be replaced by the manufacturer, its service agent or similarly qualified persons in order to avoid a hazard.
5. This appliance is not intended to be used by children or individuals with reduced physical, sensory, or mental capabilities or lack of experience. Close supervision is necessary when any appliance is used near children. Children should be supervised to ensure they do not play with the appliance. Keep the unit and its cord out of reach of children.
6. Unplug from the outlet when not in use and before cleaning. Allow to cool before putting on or taking off parts and before cleaning the appliance. To unplug, grasp the plug and pull from the outlet. Never yank the power cord to unplug it.
7. Do not use outdoors.
8. Do not operate an espresso maker in the presence of explosives or flammable liquids or fumes.
9. Always operate the espresso maker from a power source of the same voltage, frequency, and rating as indicated on the product rating plate.
10. Do not leave the espresso maker unattended during use.
11. The use of accessory attachments not recommended by the appliance manufacturer may result in fire, electric shock, or injury to persons.
12. Carefully place the portafilter until the portafilter is in the "Lock" position.
13. Do not use the appliance for other than its intended use.
14. **Warning:** Do not remove the portafilter during the brewing cycle to avoid scalding or the risk of injuries. Also, do not remove the water reservoir during the brewing process or the milk reservoir during the milk frothing process.
15. Unplug from the outlet when not in use and before cleaning. Allow to cool before putting on or taking off parts and before cleaning the appliance.
16. Use caution while descaling the unit.
17. This appliance is recommended for household use only.
18. Do not let the cord hang over the edge of the table or counter or touch hot surfaces. Use the handles or knobs.
19. Do not place on or near a hot gas, electrical burner, or heated oven.
20. To disconnect, turn any control to the "off" position, then remove the plug from the wall outlet.
21. Please do not touch the hot components such as the portafilter, milk frother, water outlet, etc. Avoid contact and scalding with hot water, milk, or steam. Avoid contact with hot liquids and steam. Wait until the unit cools completely before touching any accessories.
22. To protect against fire, electric shock and injury to persons do not immerse cord, plugs, or appliance in water or other liquid.
23. **WARNING:** To avoid the risk of injury, do not open the brew chamber during the brew process.
24. The coffee-maker shall not be placed in a cabinet when in use.
25. **WARNING:** The filling aperture shall not be opened during use.

**WARNING:** Risk of fire or electric shock. Do not remove the appliance's cover. There are no user-serviceable parts inside. Any repairs should be done only by authorized service personnel.

## Power Cord Instructions:

1. A short power-supply cord is provided to reduce risks resulting from becoming entangled in or tripping over a longer cord.
2. An extension cord may be used if care is exercised in its use.
3. If an extension cord is used, the marked electrical rating of the extension cord must be the same or higher than that of the product. The extension cord must be arranged so that it will not hang over the countertop or tabletop where it can be pulled by children or tripped over accidentally.

## POLARIZED PLUG

This appliance has a polarized plug (one blade is wider than the other). To reduce the risk of electric shock, this plug is intended to fit into a polarized outlet only one way. If the plug does not fit fully into the outlet, reverse the plug. If it still does not fit, contact a qualified electrician. Do not attempt to modify the plug in any way.

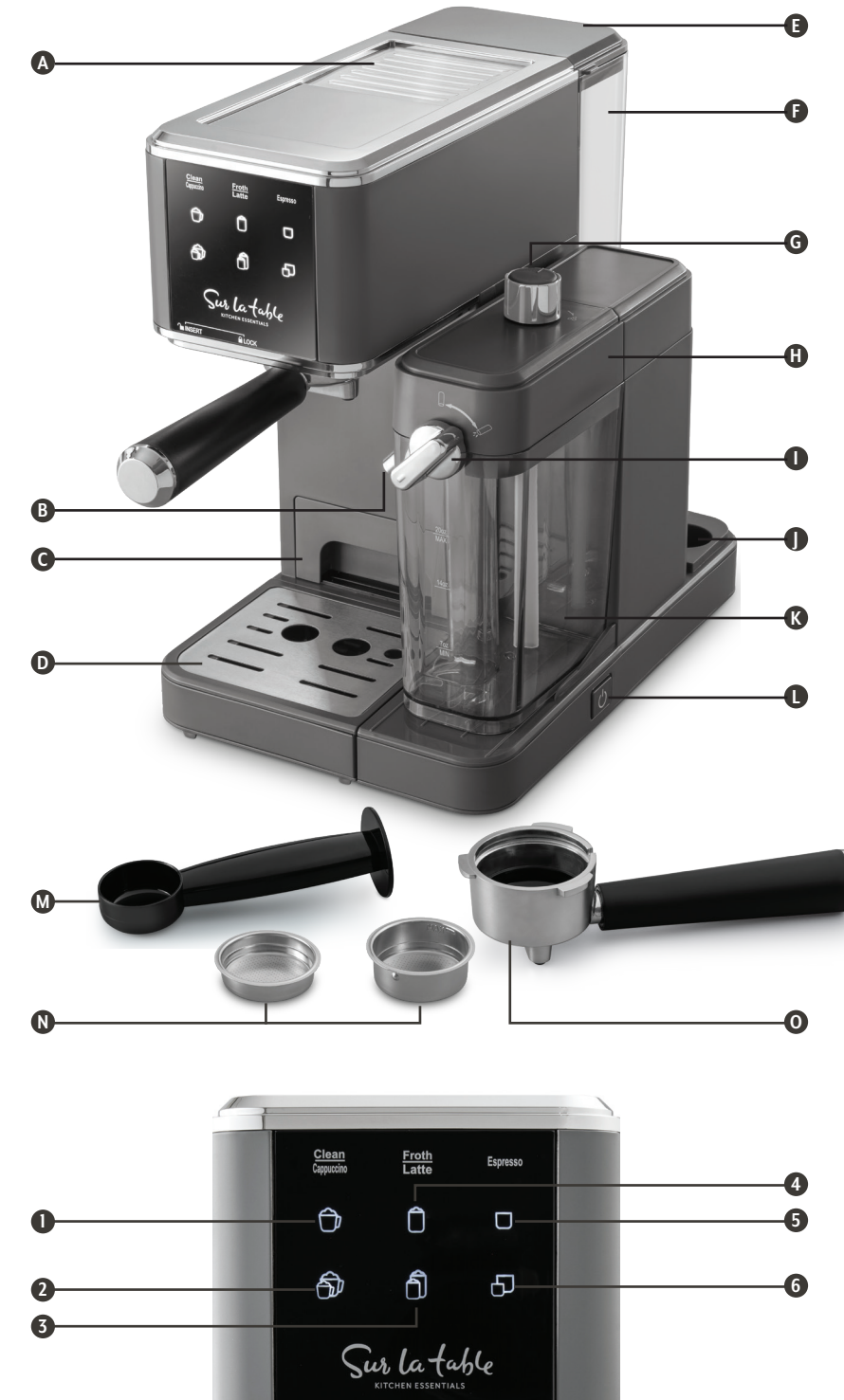
# WHAT'S IN THE BOX

- A** CUP WARMING AREA
- B** FROTHED MILK DISPENSING TUBE
- C** CUP HEIGHT ADJUSTMENT DRAWER
- D** REMOVABLE DRIP TRAY
- E** WATER RESERVOIR LID
- F** REMOVABLE WATER RESERVOIR
- G** FROTH CONTROL KNOB
- H** MILK RESERVOIR LID
- I** CONTROL LEVER FOR THE FROTHED MILK DISPENSING TUBE
- J** ACCESSORIES STORAGE
- K** REMOVABLE MILK RESERVOIR
- L** POWER SWITCH
- M** MEASURING SCOOP AND TAMPER
- N** FILTERS (SINGLE AND DOUBLE SHOT)
- O** PORTAFILTER

## Control Panel:

- 1** SMALL CAPPUCCINO BUTTON (PRESS ONCE)/ CLEANING BUTTON (PRESS AND HOLD)
- 2** LARGE CAPPUCCINO BUTTON
- 3** LARGE LATTE BUTTON
- 4** SMALL LATTE BUTTON (PRESS ONCE) / MILK FROTHING BUTTON (PRESS AND HOLD)
- 5** SINGLE ESPRESSO BUTTON
- 6** DOUBLE ESPRESSO BUTTON

**SAVE THESE INSTRUCTIONS  
HOUSEHOLD USE ONLY**



# BEFORE FIRST USE

1. Remove the espresso maker from the packaging and remove and discard any sticker, labels, and packaging materials. Please make sure that all accessories are included with the unit.
2. Please remove and wash the water reservoir, milk reservoir, portafilter, two filters and measuring scoop/tamper in a mixture of mild soap and warm water. Rinse each thoroughly and place them back into the unit.
3. To prime and clean the unit before first use, fill the water and milk reservoirs with water between minimum and up to the max levels and let the unit run 2-3 times using the large cappuccino or large latte function. Please follow the instructions in the operating instructions section on how to place the filter in the portafilter and insert it on the brew head making sure to not add any ground coffee on the filter.

**Warning:** If no water comes out through the portafilter spouts, the product might be under its protection stage during the first use. To clear this issue, press and hold the cleaning function button for 3 seconds to activate the milk frother cleaning function. The indicator lights will start blinking in a counterclockwise sequence and then stop automatically after 30 seconds.

# OPERATION INSTRUCTIONS

## Filling the water reservoir:

1. Remove the reservoir by pulling it upwards.
2. Open water reservoir lid and fill it with fresh, clean water up to the MAX level. Place the reservoir back in the unit, pressing lightly until it sits tightly on its place ensuring the valve on the bottom of the reservoir opens up.
3. It is also possible to fill the water reservoir without removing it from the unit by pouring water directly from a jug or a pitcher.

## IMPORTANT:

1. It is normal for some water to remain in the unit under the reservoir. Please make sure to dry it out regularly with a clean sponge.
2. Do not use the espresso maker with an empty water reservoir. Please add water every time the water level is below the minimum level.

## Pouring milk to the milk reservoir:

1. Take out the milk reservoir by tilting it slightly up and pulling it forward.
2. Carefully lift the milk reservoir lid to pour whole or 2% cold milk and place the lid back. Place the milk reservoir back in the unit. When placing the reservoir, you should hear a clicking sound.

**Warning:** Always make sure to properly insert the milk reservoir tightly onto its place in the unit, or internal pressure will push it out during the milk frothing process.

**Choosing the right coffee cup size:** Please select the cup with the right size before brewing according to the following table.

Function	Button	Amount of Espresso	Size of Cup
Espresso	Single	1-1.7 oz./ 30-50 mL	2.7-3.4 oz./ 80-100 mL
Espresso	Double	2.4-3 oz./ 70-90 mL	4-5 oz./ 120-150 mL
Cappuccino	Small	1.7-4 oz./ 50-120 mL	6.8-8.5 oz./ 200-250 mL
Cappuccino	Large	3.7-7 oz./ 110-210 mL	10-11.8 oz./ 300-350 mL
Latte	Small	3-6.8 oz./ 90-200 mL	10-11.8 oz./ 300-350 mL
Latte	Large	6.4-9.8 oz./ 190-290 mL	13.5-15 oz./ 400-450 mL

Sur la Table  
KITCHEN ESSENTIALS

# 6-IN-1 ESPRESSO MAKER

MODEL SE-4210

**1 YEAR  
LIMITED WARRANTY**

Customer Service:  
**(877) 246-0990**  
ApplianceSupport@monchateau.us

## OPERATION INSTRUCTIONS (CONT.)

### Preheating:

Every time the unit is turned on, the indicator lights will light up very dimly on and off until they light up solid. That is part of the preheating process of the unit. The two espresso buttons will turn solid first so you can start using them to brew espresso; a few seconds later, the indicator lights for the cappuccino and latte buttons will also turn solid, indicating that the unit is ready for these features.

### Making Espresso:

- After the unit preheats, select the filter you wish to use and insert it into the portafilter, aligning the filter dimple to the portafilter notch. Rotate the filter to the left or right to lock it inside the portafilter.
- Fill the filter with fine-ground espresso coffee, then press and compact the coffee grounds firmly and evenly using the tamper included with the unit. Make sure to clean any excess coffee from the rim of the filter.
- Line up the handle of the portafilter with the open padlock icon to place and insert the portafilter under the brew head. Then turn the handle to the right until it lines up with the closed padlock icon on the brew head. Make sure it is tightly locked in place. Ensure the water reservoir is filled with water above the minimum line and below the maximum.
- Place a small cup for a single espresso under the two portafilter spouts. If you are preparing a double espresso, place either a larger cup or two smaller cups ensuring they are directly below the two spouts under the portafilter.
- Press the single espresso button if you selected the single espresso filter or the double espresso button if you selected the double espresso filter. The indicator light for the selected function will flash, and the unit will start brewing espresso. When finished, the unit will beep five times, indicating that the espresso is ready.

**Note:** You can interrupt the espresso brewing cycle at any time by pressing the button again for the selected function.

**Caution:** Do not remove the portafilter from the brew head while the unit is brewing espresso to prevent spillage and burns.

### Adjusting and reprogramming the amount of brewed espresso

The amount of espresso the unit automatically brews for the single and double espresso functions comes preset from the factory. However, you can adjust and reprogram the amount of espresso for these two automatic functions by following the steps below:

- Place a properly sized cup under the portafilter spouts that corresponds to the function you wish to adjust (between single or double espresso functions).
- Press and hold the button for the function you wish to reprogram (between single or double espresso) for at least 3 seconds and then release it. The corresponding indicator light will flash, and the unit will start brewing the coffee. Once the desired amount of brewed coffee is reached, press the same function button again to stop the brewing process. The corresponding indicator light will flash three times, indicating that the new programmed amount of brewed espresso has been set.

### Resetting to the factory default amount of brewed espresso

To reset the espresso maker to the factory default settings for how much espresso the unit automatically brews, let the unit preheat, press the large cappuccino button for 3 seconds, and then release it. All indicator lights will flash 5 times, indicating the amount of brewed coffee has been restored to the factory settings.

### Making Cappuccino:

- Select the filter corresponding to the amount of espresso you desire to include in your cappuccino (between single or double espresso). Follow steps 1-3 in the "Making Espresso" instructions in the "Operating Instructions" section in this manual.
- Fill the milk reservoir with the amount of milk you estimate you will use to prepare your cappuccino ensuring it is filled above the minimum line and below the maximum.
- Place a cup compatible with the size of cappuccino you wish to prepare under the portafilter spouts, and make sure to use the control lever to adjust the position of the frothed milk dispensing tube, ensuring the tube is completely pointing inside the cup.

## OPERATION INSTRUCTIONS (CONT.)

- Turn the froth control knob clockwise to the maximum position.
- Finally, press either the small cappuccino or the large cappuccino button. The indicator light for the selected function will flash, and all other indicator lights will switch off while the unit prepares your cappuccino. The espresso maker will heat up for 4-30 seconds, and once it reaches the proper temperature, it will start the process. The unit will begin by frothing the milk and then brew the espresso at the end of the cycle. The unit will beep five times, the button indicator light for the selected function will stop blinking, and all other indicator lights will turn back on once the cappuccino is ready.

**Note:** You can interrupt the preparation cycle at any time by pressing the button again for the selected function.

### Making Latte:

- Select the filter corresponding to the amount of espresso you desire to include in your latte (between single or double espresso). Follow steps 1-3 in the "Making Espresso" instructions in the "Operating Instructions" section in this manual.
- Fill the milk reservoir with the amount of milk you estimate you will use to prepare your latte ensuring it is filled above the minimum line and below the maximum.
- Place a cup compatible with the size of latte you wish to prepare under the portafilter spouts, and make sure to use the control lever to adjust the position of the frothed milk dispensing tube, ensuring the tube is completely pointing inside the cup.
- Turn the froth control knob clockwise to the maximum position.
- Finally, press either the small latte or the large latte button. The indicator light for the selected function will flash, and all other indicator lights will switch off while the unit prepares your latte. The espresso maker will heat up for 4-30 seconds, and once it reaches the proper temperature, it will start the process. The unit will begin by frothing the milk and then brew and pour the espresso at the end of the cycle. The unit will beep five times, the button indicator light for the selected function will stop blinking, and all other indicator lights will turn back on once the latte is ready.

**Note:** You can interrupt the preparation cycle at any time by pressing the button again for the selected function.

### After preparing beverages using milk:

Once you are done preparing your beverage with milk, you can either store the unit's milk reservoir immediately after use directly in the refrigerator (ready to be used for the next time) or dispose of the leftover milk.

**Warning:** The cleaning function of the milk frothing system must be used at least once after each use to prevent the milk frother channel from being blocked after the milk frothing process.

### Frothing Milk:

- Place a large cup under the portafilter spouts and use the control lever to adjust the position of the frothed milk dispensing tube, ensuring the tube is completely pointing inside the cup.
- Press and hold the small latte button for more than 3 seconds and release it. The indicator light for a small latte will flash while the other indicator lights will switch off. Frothed milk will start flowing into the cup. Press the small latte button again once the desired amount of frothed milk is poured.

**Warning:** You need to manually control this process to avoid spillage. If no action is taken, the unit will automatically stop after approximately 65 seconds.

### Energy saving mode:

- The espresso maker will enter standby mode 30 minutes after completing a cycle if there is no additional operation. All indicator lights will automatically switch off.
- Press any button to restore the unit and activate the preheating mode when you wish to use it again.

## CLEAN AND CARE

### Descaling:

Descaling is a process that cleans your espresso maker by removing any buildup of mineral deposits. Descaling is recommended every 4-6 months (or approximately 1,000 espresso brewing cycles), depending on use. Your espresso maker will remind you when it is time to descale when the indicator lights of single and double espresso functions start to flash alternately.

To prepare for descaling, prepare a descaling solution using water and a descaling tablet or liquid descaler. Please follow the instructions for the descaling product you use. You can also prepare a descaling solution by mixing 1 ½ tablespoons of white vinegar for each 4 cups of water.

- Fill water and milk reservoirs with the descaling solution up to the max level. Place a large cup or bowl under the brew head and position the milk frothing tube so it is completely pointing inside it.
- Press buttons for small and large cappuccino functions simultaneously for at least 5 seconds. The unit will enter descaling mode, and all 6 indicator lights will flash slowly counterclockwise. Water will flow through the portafilter spouts and frothing tube during the descaling mode, and then it will shut automatically after 5 minutes.
- Once the descaling process is completed, place fresh, clean water on both reservoirs and run the large cappuccino cycle at least 2-3 times to clear out the descaling solution from the unit.

**Note:** You can press any function button to exit the descaling mode during the descaling process.

**Warning:** Watch to ensure the cup you placed to collect the descaling solution does not overflow. If you notice the water in the cup is nearly full, remove it and place another large cup to collect the descaling solution.

### Cleaning the milk frothing system:

- Place a large cup or bowl under the brew head and position the milk frothing tube over it.
- Set the froth control knob to the maximum position.
- Press and hold the cleaning button for at least 3 seconds. The small cappuccino, large cappuccino, small latte, and large latte, indicator lights will flash counterclockwise, and then it will stop automatically after 30 seconds. No functions will work during the cleaning cycle.

**Warning:** The frothing tube will release hot water and steam during cleaning. Be careful to avoid scalding.

### Cleaning:

- Turn off, unplug, and allow the espresso maker to cool down before cleaning it. Wipe the unit with a soft damp cloth. Do not use any cleaning products or abrasive materials.
- Remove the drip-tray, empty and wash it regularly.
- Remove and hand wash the water and milk reservoirs regularly.
- Remove and wash the portafilter and dispose of the coffee grounds. Remove the filter from the portafilter and hand wash all accessories with warm water and a mild soap. Rinse and dry thoroughly.

**Warning:** Only the two filters (for single and double espresso) and the scoop/tamper are dishwasher safe. All other removable parts and accessories should be hand washed only.

## TROUBLESHOOTING

PROBLEM	POTENTIAL CAUSE	SOLUTION
The coffee spills between the brew head and the portafilter.	There are residues inside the sealing ring.	Clean the residues from the sealing ring.
	The coffee grounds are too fine.	Use proper fine ground espresso coffee.
	The ground coffee has not been compacted well enough.	Press the ground coffee firmly and evenly using the tamper.
	The sealing ring is old and needs to be replaced.	Please contact the authorized service center.
There are coffee grounds at the rims of the filter and portafilter.		Clean the rims of the filter and the portafilter and wipe clean the bottom of the brew head.
The handle of the portafilter could not be placed in locked position.	There is too much ground coffee in the filter, exceeding the max level.	Decrease the amount of the ground coffee.
Brewed espresso is not hot.	Unit boiler has burnt out.	Please contact the authorized service center.
The pump is too noisy.	Water reservoir is empty.	Pour water into water reservoir above the Min level.
	Ensure water reservoir is properly inserted into its place.	Ensure to place water reservoir tightly in its place.
Brewed espresso is too light.	Ground coffee has not been compacted well enough.	Press the ground coffee firmly and evenly using the tamper.
	Brewed espresso is too light.	Add ground coffee.
	Ground coffee is too coarse.	Use fine ground espresso coffee.
Brewed espresso is too dark.	Ground coffee was pressed too tightly.	Press coffee ground firmly and evenly without pressing too much.
	Too much ground coffee.	Reduce amount of ground coffee.
	The filter is clogged.	Wash and clean the filter thoroughly.
	Ground coffee is too fine.	Use proper fine ground espresso coffee.
	Spouts on the portafilter are clogged.	Wash and clean the portafilter thoroughly and unplug the spouts if they are obstructed.
Unit is brewing espresso normally, but the milk frother is not working.	Milk frothing system is blocked.	Follow the instructions to use the cleaning function.
Frothed milk does not have foam.	Milk is not cold enough.	Make sure to use cold milk.
The indicator lights for single and double espresso, small and large cappuccino, small and large latte will flash clockwise and quickly.	The water reservoir has no water.	Pour water into the water reservoir.
The indicator lights for single and double espresso are flashing alternately.	The unit is warning that it is time to run the descaling process.	Descalate according to the instructions in this manual.
The espresso maker is not brewing espresso and it is not frothing milk.	The unit pump went through an extended water shortage resulting in water failure.	Press the "Clean" button for 3 seconds to activate and run the milk frothing cleaning system.

**Note:** If you are unable to find a solution for any problem, please contact the authorized service center.

Sur la table  
KITCHEN ESSENTIALS

# 6-IN-1 ESPRESSO MAKER

## USER MANUAL



Congratulations! You can now brew perfect lattes, cappuccinos, and espressos in the comfort of your own home.

[www.mcappliances.us](http://www.mcappliances.us)

MODEL SE-4210

BEFORE USE, PLEASE READ AND FOLLOW ALL IMPORTANT SAFEGUARDS, WARNINGS, CAUTIONS AND OPERATING INSTRUCTIONS.